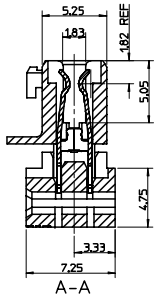
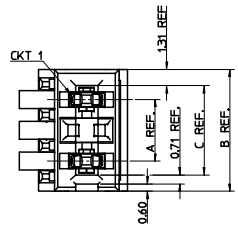


TERMINATED PART

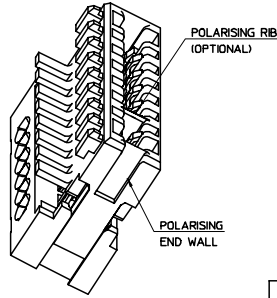


2 CKT PART WITH SINGLE LATCH

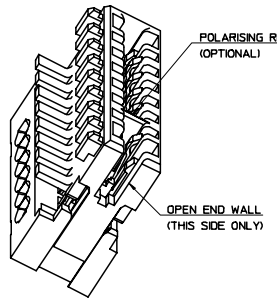
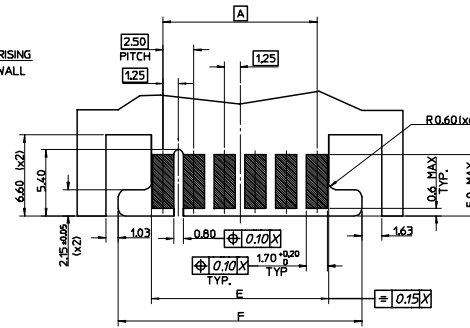


NOTES:

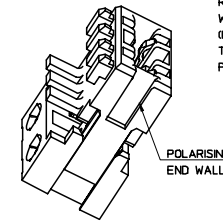
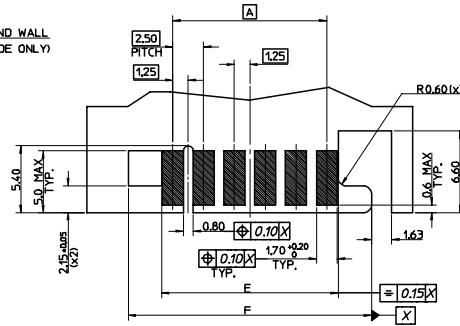
- MATERIAL : HOUSING -POLYESTER (PBT) UL94V0 NATURAL  
TERMINAL -COPPER ALLOY 0.30 THK
- PLATING : TIN
- PRODUCT CONFORMS TO SPECIFICATION PS-91491-001
- APPLICATION SPECIFICATION AS-99033-0008
- SEE SUBSEQUENT SHEETS FOR FURTHER DIMENSIONAL DETAILS AND CONNECTOR PART NUMBERS



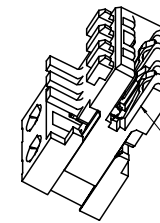
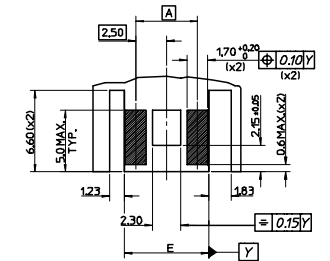
RECOMMENDED PCB LAYOUT FOR CONNECTORS WITH POLARISING END WALL AND POLARISING RIB (NOT TO SCALE)  
THICKNESS 15 +/- 0.10  
PCB MAY BE PLATED ON ONE OR BOTH SIDES



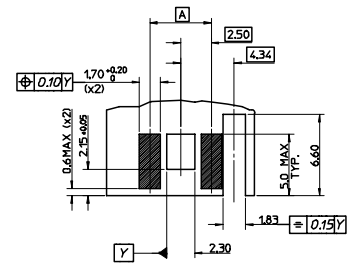
RECOMMENDED PCB LAYOUT FOR CONNECTORS WITH OPEN END WALL AND POLARISING RIB (NOT TO SCALE)  
THICKNESS 15 +/- 0.10  
PCB MAY BE PLATED ON ONE OR BOTH SIDES



RECOMMENDED PCB LAYOUT FOR 2 CKT CONNECTORS WITH POLARISING END WALL (NOT TO SCALE)  
THICKNESS 15 +/- 0.10  
PCB MAY BE PLATED ON ONE OR BOTH SIDES



RECOMMENDED PCB LAYOUT FOR 2 CKT CONNECTORS WITH OPEN END WALL (NOT TO SCALE)  
THICKNESS 15 +/- 0.10  
PCB MAY BE PLATED ON ONE OR BOTH SIDES



NEW PART OPTION ADDED  
EC NO: EE200504058  
DRAWN: P. SHEKHAR/08/24  
CHKD: 2004/09/09  
APPR: B. MAGUIRE 2004/09/17

QUALITY SYMBOLS	DESCRIPTION
▽ - 0	
∇ - 0	

GENERAL TOLERANCES (UNLESS SPECIFIED)	
mm	INCH
4 PLACES ± .05	± .002
3 PLACES ± 0.10	± .004
2 PLACES ± 0.20	± .008
1 PLACE ± 0.20	± .008
ANGULAR ± 2 °	

SCALE	DESIGN UNITS
5:1	METRIC
DIMENSION STYLE	
MM ONLY	
DRAWN BY	DATE
RSMYTH	2001/10/18
CHECKED BY	DATE
JWALLACE	2001/10/26
APPROVED BY	DATE
MWILHITE	2001/10/26

THIRD ANGLE PROJECTION		REVISE ON CAD ONLY	
TITLE			
2.5MM APPLI-MATE F-DIRECT W/O GUIDEFRAME			
MOLEX INCORPORATED		DOCUMENT NO.	
SEE CHART SD-91491-001		SHEET NO.	
THIS DRAWING CONTAINS INFORMATION THAT IS PROPRIETARY TO MOLEX INCORPORATED AND SHOULD NOT BE USED WITHOUT WRITTEN PERMISSION		1 OF 3	

MOLEX PART NO.	CKT SIZE	DIM A	DIM B	DIM C	DIM E ±0.10	DIM F	END WALL TYPE	POLARISING RIB	POLARISING RIB POSITION	VOIDED CKT	PACKAGING PER TRAY	PACKAGING PER BOX
91491-0042	2	5.0	9.875	7.25	6.85	N/A	POLARISING	NO	N/A	NO	1200	3600
91491-0043	3	5.0	14.875	12.50	6.85	12.25	POLARISING	NO	N/A	NO	750	2250
91491-0143							POLARISING	YES	BETWEEN CKTS 1 & 2	NO	750	2250
91491-0243							POLARISING	YES	BETWEEN CKTS 2 & 3	NO	750	2250
91491-0063				N/A			OPEN	NO	N/A	NO	750	2250
91491-0263							OPEN	YES	BETWEEN CKTS 2 & 3	NO	750	2250
91491-0044							4	7.5	17.375	15.00	9.35	14.75
91491-0144	POLARISING	YES	BETWEEN CKTS 1 & 2	NO	600	1800						
91491-0344	POLARISING	YES	BETWEEN CKTS 3 & 4	NO	600	1800						
91491-0045	5	10.0	19.875	17.50	11.85	17.25	POLARISING	NO	N/A	NO	600	1800
91491-0345							POLARISING	YES	BETWEEN CKTS 3 & 4	NO	600	1800
91491-0445							POLARISING	YES	BETWEEN CKTS 4 & 5	NO	600	1800
91491-0046	6	12.5	22.375	20.00	14.35	19.75	POLARISING	NO	N/A	NO	450	1350
91491-0546							POLARISING	YES	BETWEEN CKTS 5 & 6	NO	450	1350
91491-0047	7	15.0	24.875	22.50	16.85	22.25	POLARISING	NO	N/A	NO	450	1350
91491-0647							POLARISING	YES	BETWEEN CKTS 6 & 7	NO	450	1350
91491-0048	8	17.5	27.375	25.00	19.35	24.75	POLARISING	NO	N/A	NO	300	900
91491-0248							POLARISING	YES	BETWEEN CKTS 2 & 3	NO	300	900
91491-0748							POLARISING	YES	BETWEEN CKTS 7 & 8	NO	300	900
91491-2048							POLARISING	YES	BETWEEN CKTS 2 & 3	CKT 4	300	900
91491-0049	9	20.0	29.875	27.50	21.85	27.25	POLARISING	NO	N/A	NO	300	900
91491-0549							POLARISING	YES	BETWEEN CKTS 5 & 6	NO	300	900
91491-0849							POLARISING	YES	BETWEEN CKTS 8 & 9	NO	300	900
91491-0050	10	22.5	32.375	30.00	24.35	29.75	POLARISING	NO	N/A	NO	300	900
91491-0250							POLARISING	YES	BETWEEN CKTS 2 & 3	NO	300	900
91491-0350							POLARISING	YES	BETWEEN CKTS 3 & 4	NO	300	900
91491-0950							POLARISING	YES	BETWEEN CKTS 9 & 10	NO	300	900

NOTES:

- FOR ALL UNSPECIFIED NOTES AND DIMENSIONS SEE SHEETS 1 & 3

REVISION UP-DATE EC NO: E2005-0158 DRAWN: PSHEAHA 004/08/24 CHKD: 2004/09/09 APPR: BMAGUIRE 2004/09/17	QUALITY SYMBOLS ▽ = 0 ▽ = 0	GENERAL TOLERANCES (UNLESS SPECIFIED)		SCALE 1:1	DESIGN UNITS METRIC	THIRD ANGLE PROJECTION	REVISE ON CAD ONLY	
		4 PLACES ± --- ± ---	mm INCH	DIMENSION STYLE MM ONLY		TITLE 2.5MM APPLI-MATE F-DIRECT W/O GUIDEFRAME		
		3 PLACES ± 0.05 ± ---	2 PLACES ± 0.10 ± ---	DRAWN BY RSMYTH	DATE 2001/10/18	MOLEX INCORPORATED		
		1 PLACE ± 0.20 ± ---	ANGULAR ± 2 °	CHECKED BY JWALLACE	DATE 2001/10/26	MATERIAL NO. SEE CHART	DOCUMENT NO. SD-91491-001	SHEET NO. 2 OF 3
DRAFT WHERE APPLICABLE MUST REMAIN WITHIN DIMENSIONS	APPROVED BY MWILHITE	DATE 2001/10/26	THIS DRAWING CONTAINS INFORMATION THAT IS PROPRIETARY TO MOLEX INCORPORATED AND SHOULD NOT BE USED WITHOUT WRITTEN PERMISSION					

F

E

D

C

B

A

MOLEX PART NO.	CKT SIZE	DIM A	DIM B	DIM C	DIM E ±0.10	DIM F	END WALL TYPE	POLARISING RIB	POLARISING RIB POSITION	VOIDED CKT	PACKAGING PER TRAY	PACKAGING PER BOX
91491-0051	11	25.0	34.875	32.50	26.85	32.25	POLARISING	NO	N/A	NO	300	900
91491-1051							POLARISING	YES	BETWEEN CKTS 10 & 11	NO	300	900
91491-0551							POLARISING	YES	BETWEEN CKTS 5 & 6	NO	300	900
91491-0651							POLARISING	YES	BETWEEN CKTS 6 & 7	NO	300	900
91491-0052	12	27.5	37.375	35.00	29.35	34.75	POLARISING	NO	N/A	NO	300	900
91491-0452							POLARISING	YES	BETWEEN CKTS 4 & 5	NO	300	900
91491-1152							POLARISING	YES	BETWEEN CKTS 11 & 12	NO	300	900
91491-0652							POLARISING	YES	BETWEEN CKTS 6 & 7	NO	300	900
91491-0852	13	30.0	39.875	37.50	31.85	37.25	POLARISING	YES	BETWEEN CKTS 8 & 9	NO	300	900
91491-0053							POLARISING	YES	BETWEEN CKTS 12 & 13	NO	300	900
91491-1253	14	32.5	42.375	40.00	34.35	39.75	POLARISING	NO	N/A	NO	150	450
91491-0054							POLARISING	YES	BETWEEN CKTS 13 & 14	NO	150	450
91491-1354	15	35.0	44.875	42.50	36.85	42.25	POLARISING	NO	N/A	NO	150	450
91491-0055							POLARISING	YES	BETWEEN CKTS 2 & 3	NO	150	450
91491-0255							POLARISING	YES	BETWEEN CKTS 14 & 15	NO	150	450
91491-1455	16	37.5	47.375	45.00	39.35	44.75	POLARISING	NO	N/A	NO	150	450
91491-0056							POLARISING	YES	BETWEEN CKTS 15 & 16	NO	150	450
91491-1556	17	40.0	49.875	47.50	41.85	47.25	POLARISING	NO	N/A	NO	150	450
91491-0057							POLARISING	YES	BETWEEN CKTS 16 & 17	NO	150	450
91491-1657							POLARISING	NO	N/A	NO	150	450
91491-0058	18	42.5	52.375	50.00	44.35	49.75	POLARISING	YES	BETWEEN CKTS 17 & 18	NO	150	450
91491-1758							POLARISING	YES	BETWEEN CKTS 8 & 9	NO	150	450

NOTES:

- FOR ALL UNSPECIFIED NOTES AND DIMENSIONS SEE SHEETS 1 & 2

NEW P/N 91491-0852 ADDED EC NO: E20050158 DRAWN: PSHEAHA004/08/24 CHKD: 2004/09/09 APPR: BMAGUIRE 2004/09/17	QUALITY SYMBOLS ▽ = 0 ▽ = 0	GENERAL TOLERANCES (UNLESS SPECIFIED)		SCALE 1:1	DESIGN UNITS METRIC	THIRD ANGLE PROJECTION	REVISE ON CAD ONLY																			
		<table border="1"> <tr> <th></th> <th>mm</th> <th>INCH</th> </tr> <tr> <td>4 PLACES</td> <td>± ---</td> <td>± ---</td> </tr> <tr> <td>3 PLACES</td> <td>± 0.05</td> <td>± ---</td> </tr> <tr> <td>2 PLACES</td> <td>± 0.10</td> <td>± ---</td> </tr> <tr> <td>1 PLACE</td> <td>± 0.20</td> <td>± ---</td> </tr> <tr> <td colspan="3">ANGULAR ± 2 °</td> </tr> </table>			mm	INCH	4 PLACES	± ---	± ---	3 PLACES	± 0.05	± ---	2 PLACES	± 0.10	± ---	1 PLACE	± 0.20	± ---	ANGULAR ± 2 °			DIMENSION STYLE MM ONLY		TITLE 2.5MM APPLI-MATE F-DIRECT W/O GUIDEFRAME		
			mm	INCH																						
		4 PLACES	± ---	± ---																						
3 PLACES	± 0.05	± ---																								
2 PLACES	± 0.10	± ---																								
1 PLACE	± 0.20	± ---																								
ANGULAR ± 2 °																										
DRAFT WHERE APPLICABLE MUST REMAIN WITHIN DIMENSIONS		APPROVED BY DATE		DRAWN BY DATE		MATERIAL NO. DOCUMENT NO. SHEET NO.																				
K		MILWHITE 2001/10/26		RSMYTH 2001/10/18		SEE CHART SD-91491-001 3 OF 3																				

THIS DRAWING CONTAINS INFORMATION THAT IS PROPRIETARY TO MOLEX INCORPORATED AND SHOULD NOT BE USED WITHOUT WRITTEN PERMISSION A3